

Click the logo to [enter](#)

Draftsmen

Drafter, draughtsman (BrE) or **draftsman** (AmE), can mean two things:

1. A visual artist who specialises in artistic drawings.
2. A person who prepares technical drawings and plans under the direction of an architect or engineer.



About Michael Paczkowski

Michael is a drafting student at Hudson Valley Community College in Troy, NY who is studying to become a draftsman. As part of his course work he has learned how to create CAD drawings in both 2D and 3D. He is now looking for an internship where he can turn his knowledge into real world experience. View some of his coursework via the CAD tab above.

Computer Aided Design

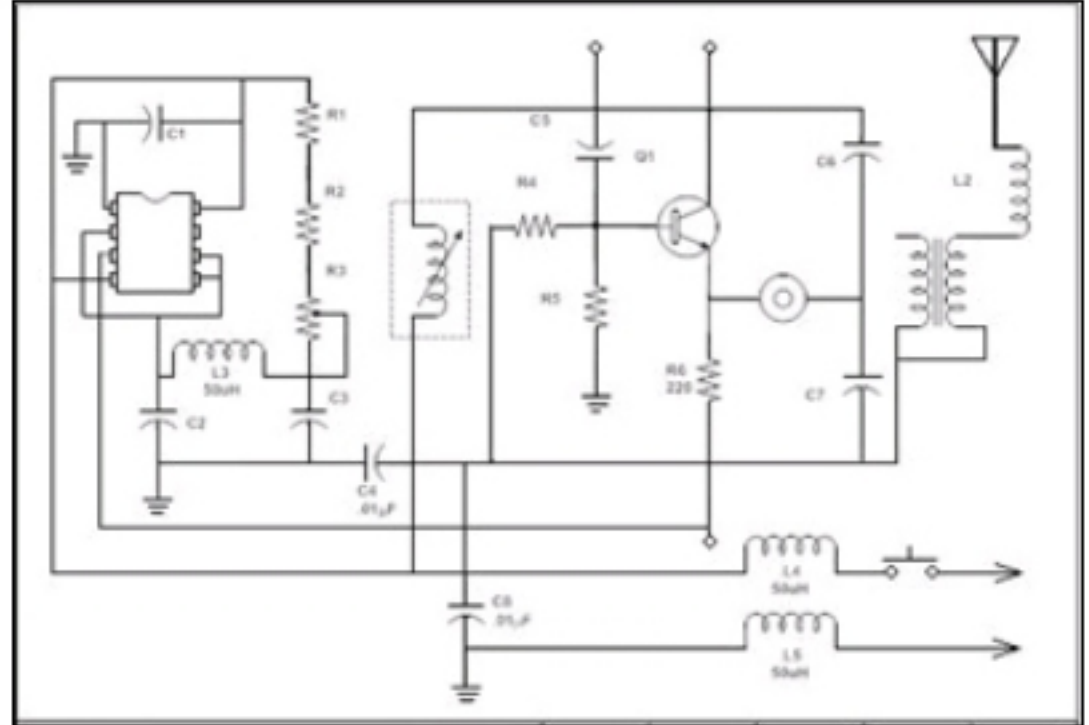
[Electrical](#) | [Civil](#) | [Mechanical](#)

Electrical

View as [Hi-Res JPG](#)

View as [Hi-Res TIF](#)

View [.ecd file](#)

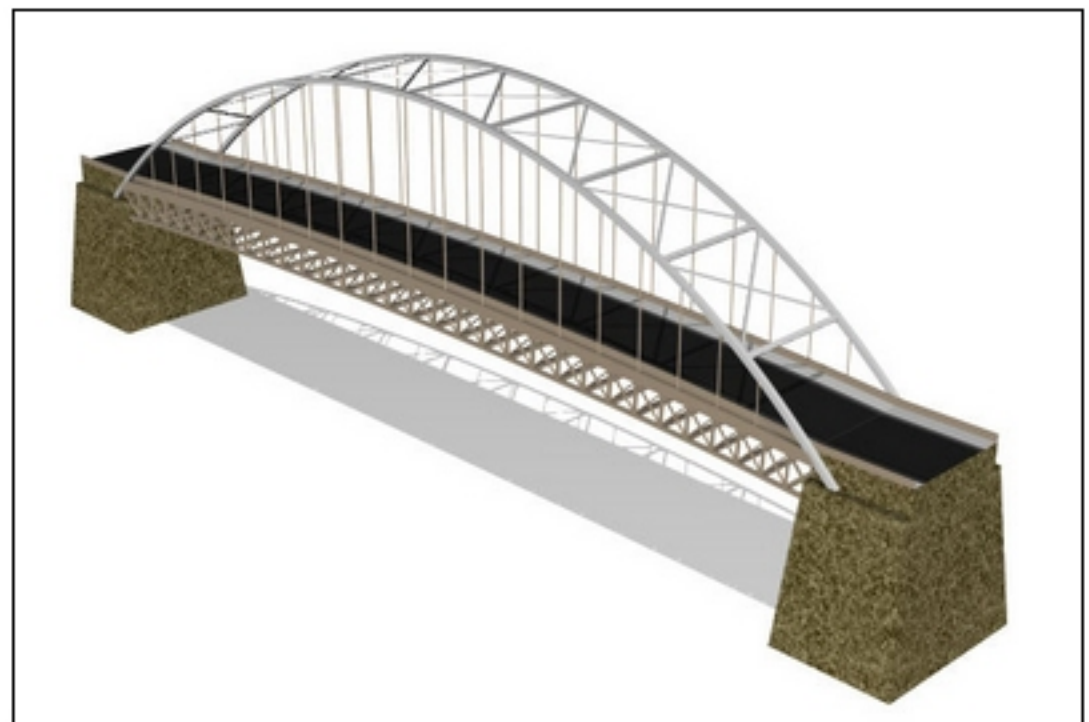


Civil

View as [Hi-Res JPG](#)

View as [Hi-Res TIF](#)

View [.ecd file](#)



Mechanical

View as [Hi-Res JPG](#)

View as [Hi-Res TIF](#)

View [.ecd file](#)

